



Installation Video



**Installation
Manual**



Heating Shower Curtain

Matters Needing Attention

1. Before installation, ensure that all components are complete.
2. Before installation, ensure that all electrical components are free from damage such as peeling or breakage.
3. If you find missing or damaged parts, please contact the manufacturer in time.
4. Before installation, ensure that the surrounding environment is dry and the wall is dry.
5. Before installation, read the instructions carefully and operate according to the instructions.
6. Please ensure adequate power supply to ensure proper operation of the heat curtain.
7. Do not install or use this product near other heat sources.
8. It is prohibited to modify the product without permission or install the product without following the instructions.
9. Do not power on the product before installation.
10. Do not run the heating shower curtain when the curtain is in the rolling state or is not fully unfold.
11. All fasteners should be fully secured.
12. Do not pull the curtain rudely to avoid damage.
13. It is forbidden to scratch or clean the surface of the curtain with sharp or rough utensils.
14. Before formal use, make sure that the function of the ground fault circuit interrupter is normal, and test once a month.
15. Individuals with limited mobility, the elderly, and children under 14 years old are prohibited from using this product alone without supervision.
16. After each use, the power switch must be turned off.
17. It is strictly prohibited to disassemble the ground fault circuit interrupter or come into direct contact with water, or connect it directly to the extension cable.

List of Parts

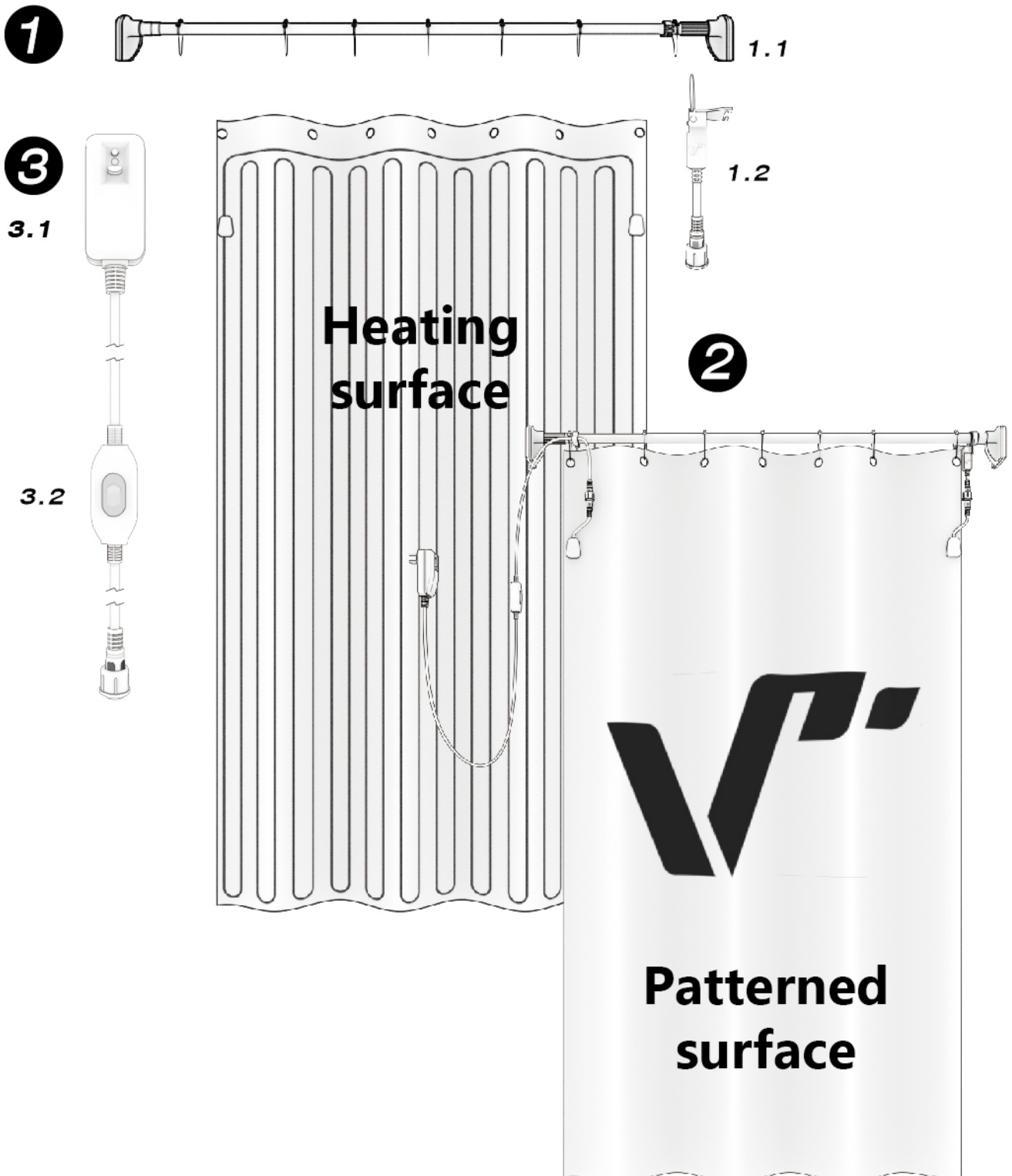
1. Curtain rod

- 1.1 Telescopic rod
- 1.2 Magnetic switch

2. Heating curtain

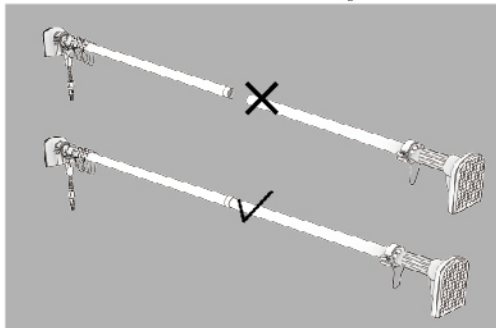
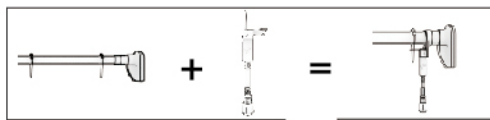
3. Power cord

- 3.1 Ground fault circuit interrupter
- 3.2 Power switch

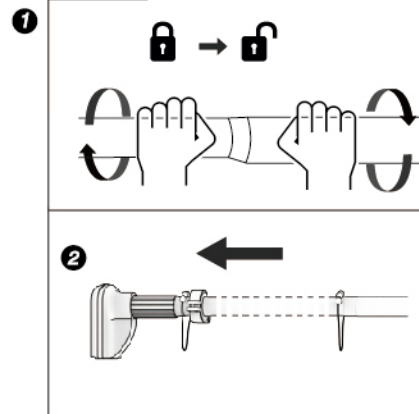
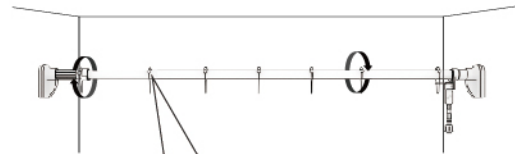


Step 1

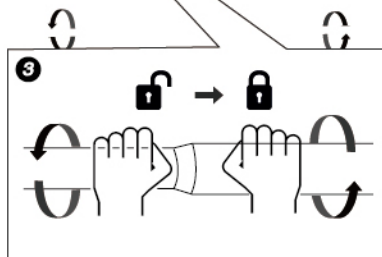
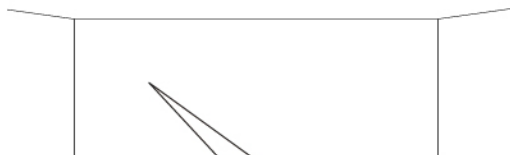
Install the telescopic rod



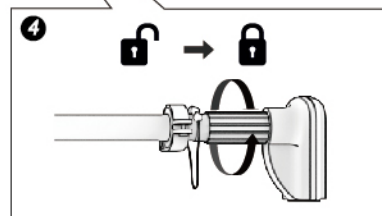
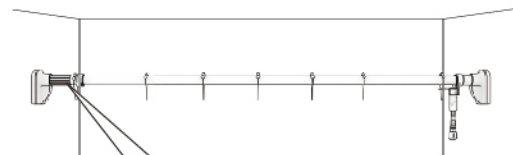
1



2



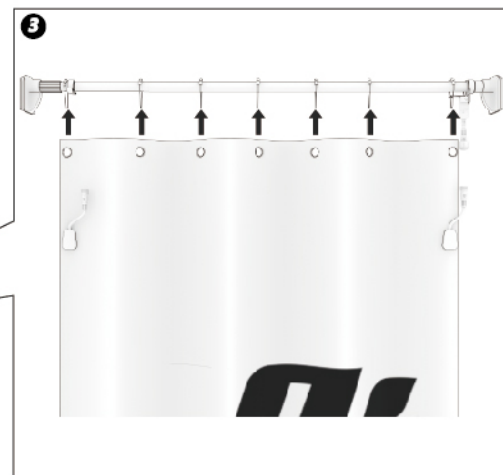
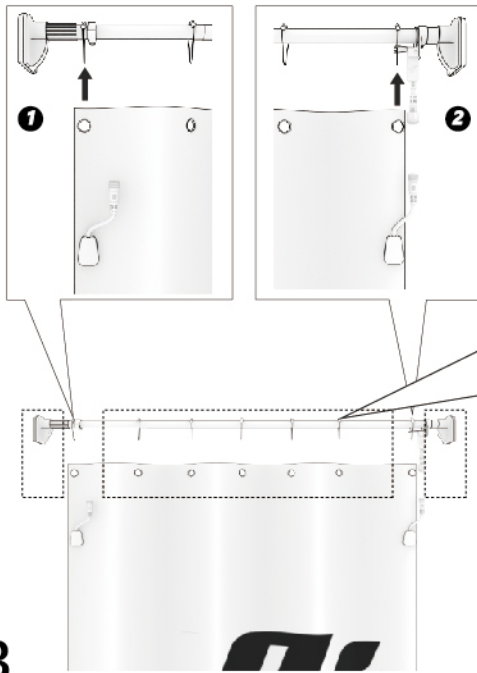
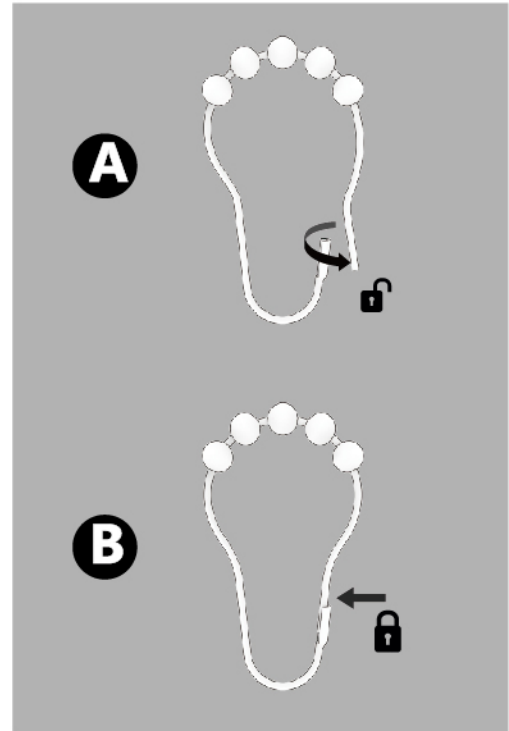
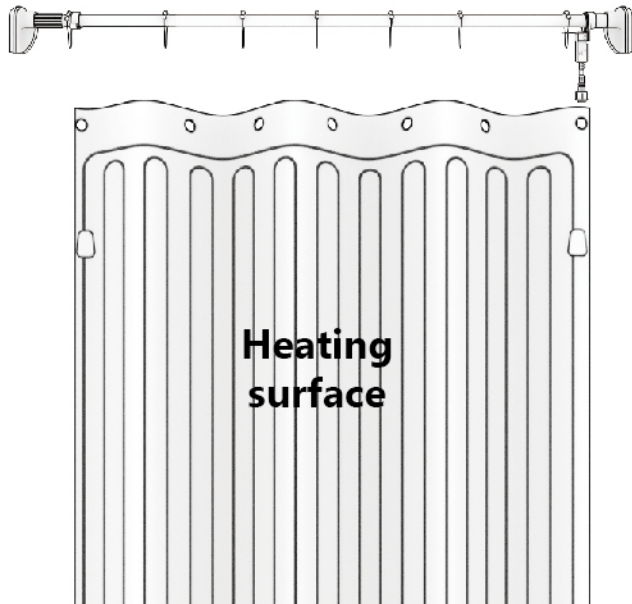
3



4

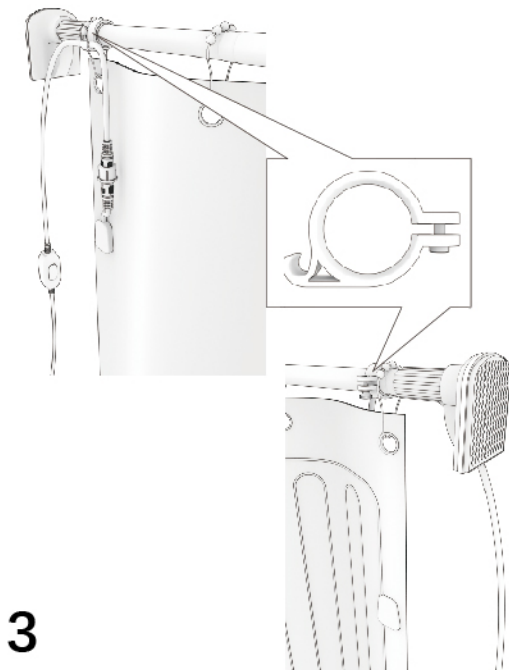
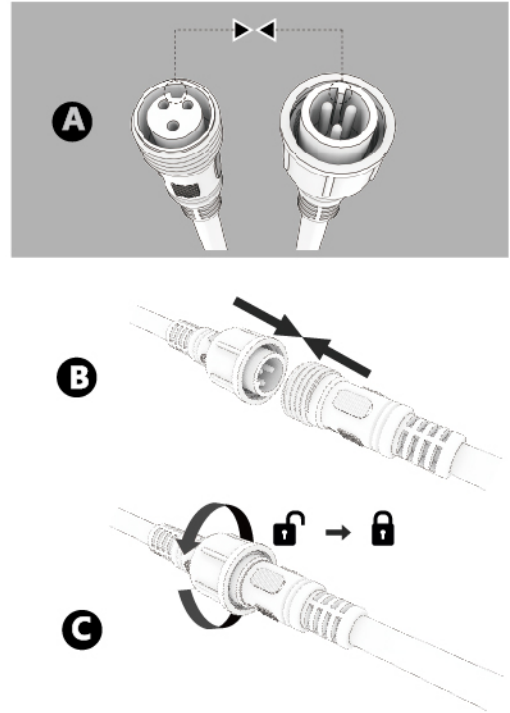
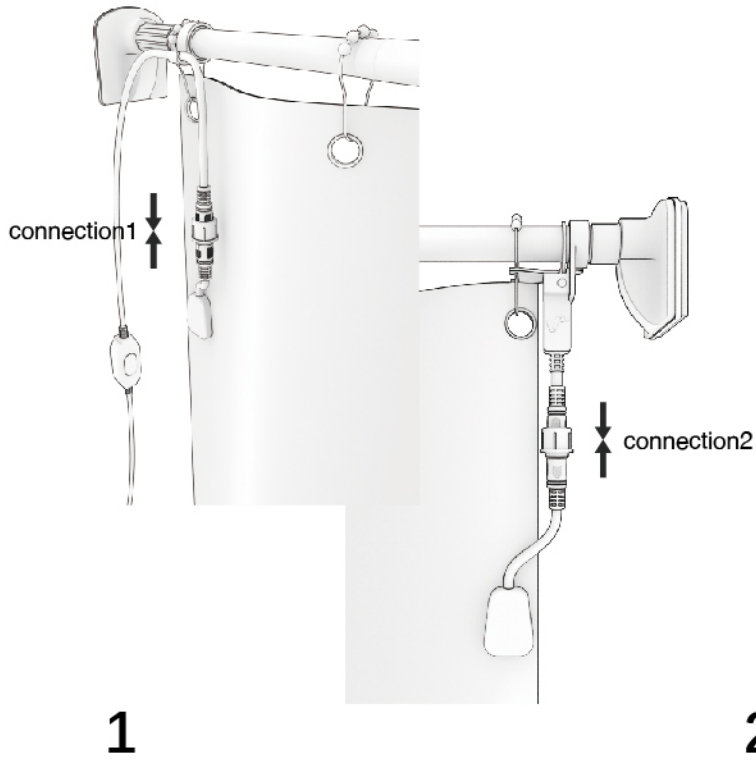
Step 2

Curtain mounting



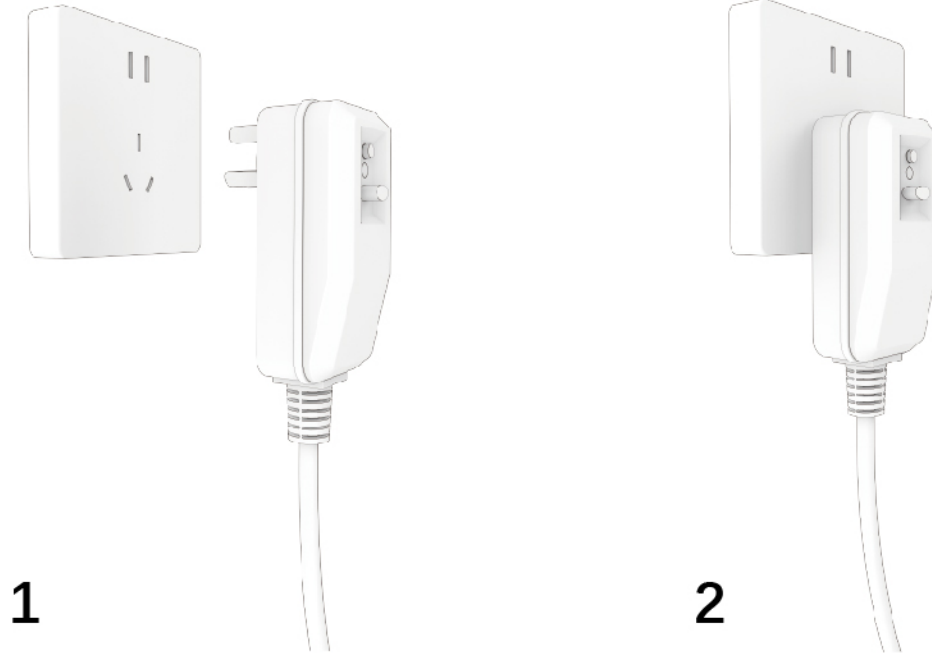
Step 3

Wiring installation

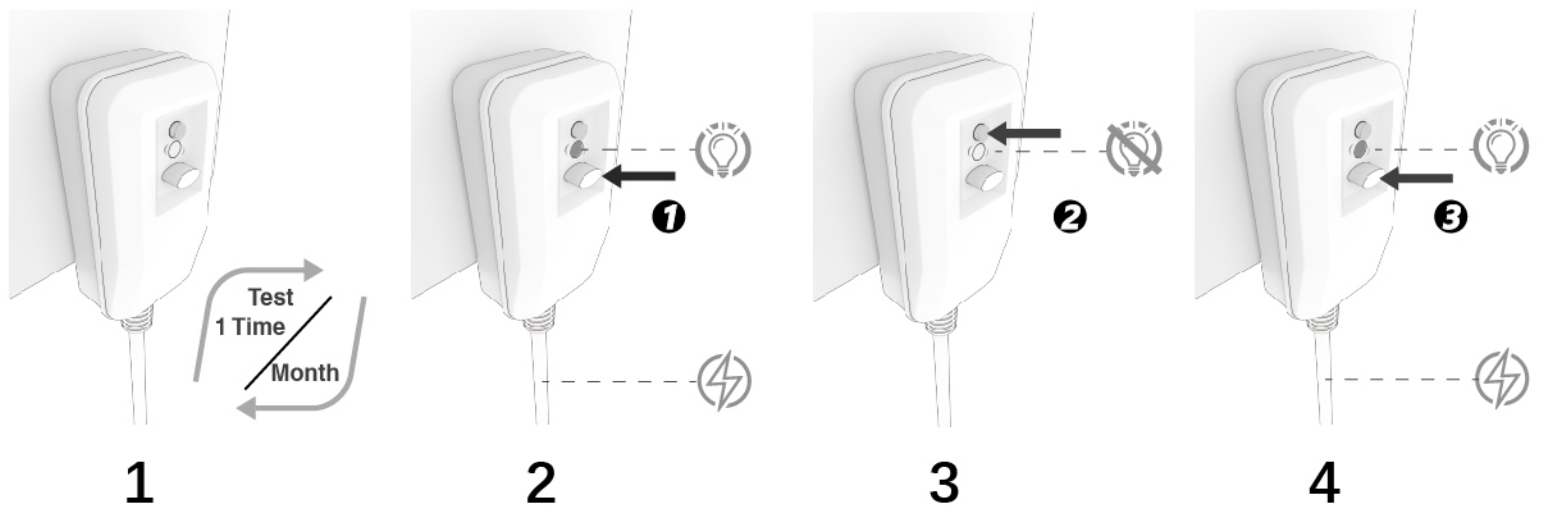


Step 4

Electric connection

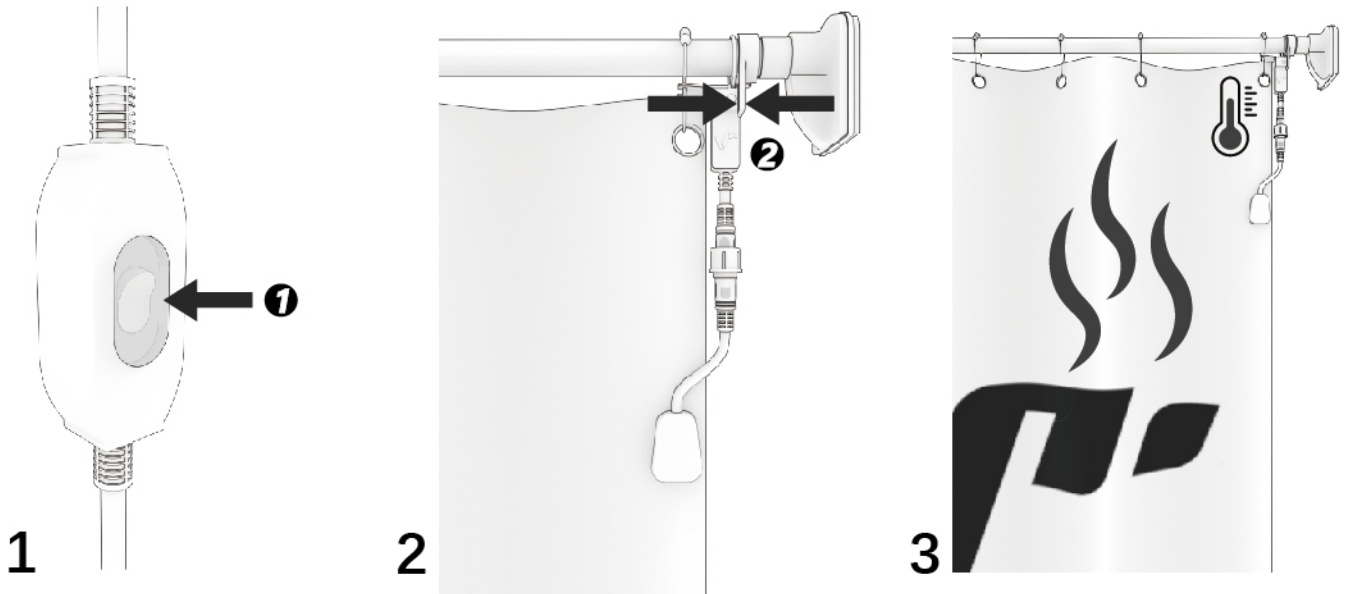


GFCI Instructions



Startup and shutdown

Turn on the heat



Turn off the heating curtain

